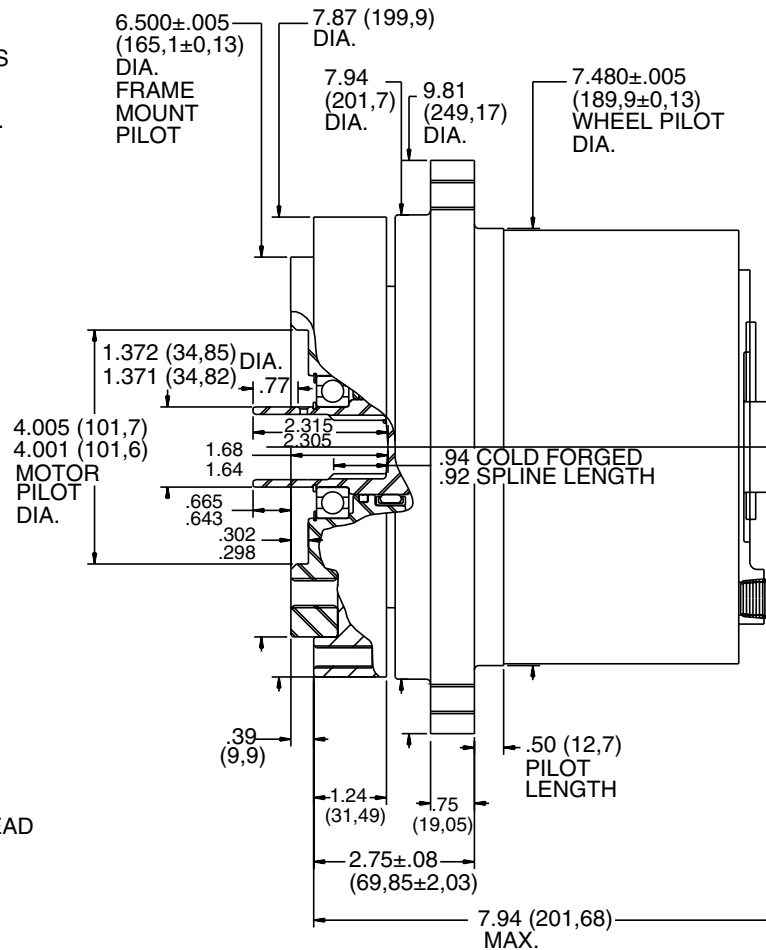
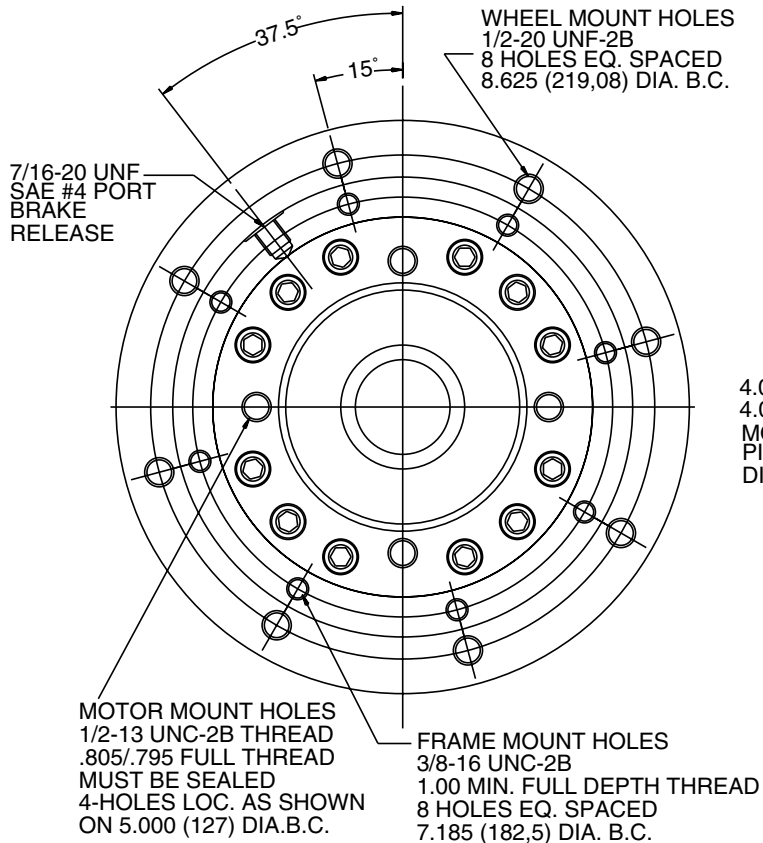
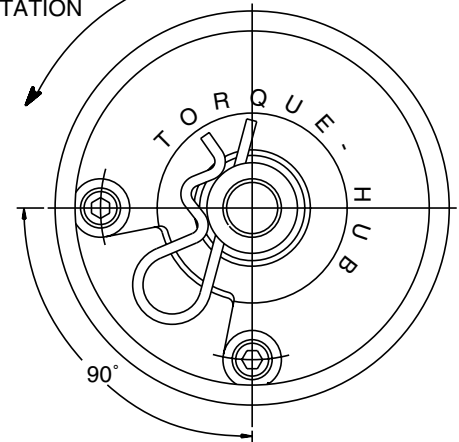


TORQUE-HUB
Planetary Final Drives



OUTPUT ROTATION
OPPOSITE
INPUT
ROTATION



FAIRFIELD
GEARED FOR EXCELLENCE

NOTE: MM SHOWN IN ()
MOTOR CAVITY DIMENSIONS VARY WITH MODEL

OTHER MODELS ALSO AVAILABLE

W1S4

Performance Data

Continuous	Intermittent	Peak
14,500 lb-in 1,633 Nm	29,000 lb-in 3,266 Nm	Contact Fairfield

For ultimate torque and horsepower capacities, contact a Torque-Hub® representative.

Speed Limitations

Input Speed: 4,000 RPM Maximum Intermittent
Horsepower: 40 Maximum, 20 Continuous
Overall Ratio: 5.4:1

Weight

Approximately 75 lbs (34 kg)

Note: Specific models will change weights.
 Designed for use with bearingless style hydraulic motors.

W1S4 Model Formula

W – Wheel Drive

1 – Single Planetary

Oil

Fill half full with EP-90 oil for most applications.

Approximate Volume 18 oz. (0,53cm³)

Note: Oil level and type will vary with specific model and application.

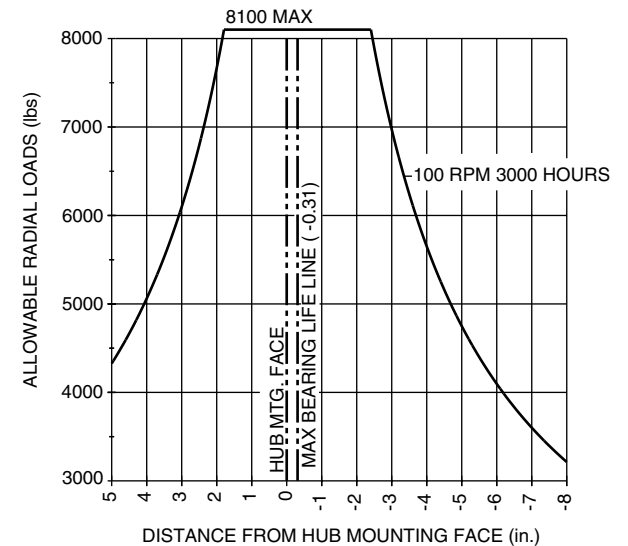
Conditions of Bearing Curve

Life = 3,000 hours B-10
Speed = 100 RPM output

To adjust for loads and speeds other than shown on curve:

$$\text{Adjusted Life (hrs)} = 3,000 \left(\frac{100 \text{ RPM}}{\text{Speed (Adjusted)}} \right) \times \left(\frac{\text{Load (Curve)}}{\text{Load (Adjusted)}} \right)^{10/3}$$

Bearing Curve



W 1 S4 O B L 55

Wheel Stud Configuration
0 – Not included

Ratio
55 – 5.4:1

Motor Input
L – Char Lynn 2000
 (bearingless)

Hub/Spindle Assembly
 (Contact Fairfield)

Brake Option
0 – Without Brake
B – 4500 lb-in Brake
 280 PSI Release Pressure
 (for use with Char Lynn 2000 bearingless motor)

FAIRFIELD
 GEARED FOR EXCELLENCE
 Fairfield Manufacturing Company, Inc.
 First in Custom Gears and Drive Systems

U.S. 52 South
 P.O. Box 7940
 Lafayette, IN 47903-7940 USA
 Telephone (765) 772-4000
 FAX (765) 772-4001
 www.fairfieldmfg.com

Torque-Hub is a registered trademark of Fairfield.
 © 2000 Fairfield Manufacturing Company, Inc.